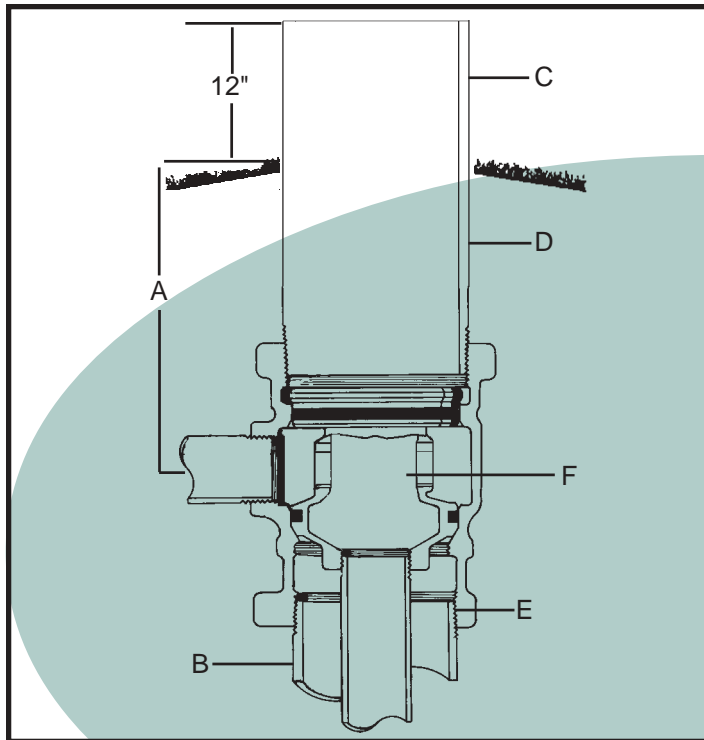




- ◆PRINT THIS PAGE
- ◆VIEW REPAIR PARTS
- ◆BACK TO
- ◆HOME

DOMESTIC PITLESS ORDERING INFORMATION



EXPLANATION OF DOMESTIC PITLESS UNIT ORDERING NUMBERS

The diagram illustrates the meaning of the various letters and numerals used in Monitor Domestic Pitless Unit ordering numbers. A typical order number and the pitless unit it stands for are shown below.

- 3** A. The first numeral in the order number indicates the bury depth, in feet, of the unit. Bury depth on all units is measured from the center of the discharge line to ground level. The top of the pitless case extends 12" above ground level as is required by many codes.
- PS** These letters indicate the type of pump the pitless unit is designed for. The unit shown is a PS for submersible pumps.
- 4** B. This numeral indicates the well casing size. The 4 is 4" I.D. through 6" I.D. wells.
- 5** C. This numeral indicates the upper pitless case size. The 5 is for 5" I.D. through 7" I.D. case.
- B** D. The presence of the letter "B" in the order number indicates the upper pitless case is black pipe.
- N** E. Indicates the well attachment to the casing. Left blank the unit will be threaded. The letter "N" indicates a kwikonect connection.
- S4** F. Indicates a spool with no check valves.
- C0** Indicates the unit is less cap.
- X** The letter "X" would indicate a 2" drop pipe tapping on 4 x 5 kwikonect units which normally has a 1-1/2" drop pipe tapping.
- F** Indicates for Flowing Wells which is available on 4", 5" and 6" threaded style units. **Note:** spool cable seals must be ordered separately.

DESCRIPTION - ORDERING NUMBERS

A		Bury Depth in Feet
	PS	Pitless Unit for Submersible Pump
B		Well Size - Ins.
C		Upper Case Size - Ins.
D	B	Black Upper Casing
E		Well Attachment
		Blank =Threaded
		N =Kwikonect
F	S4	Spool with no check valves
	CO	Less Cap
OPTIONS		(X) Drop Pipe Tapping = 2" on 4 x 5
		(F) Flowing Well Unit



133 Enterprise Street
Evansville, WI 53536