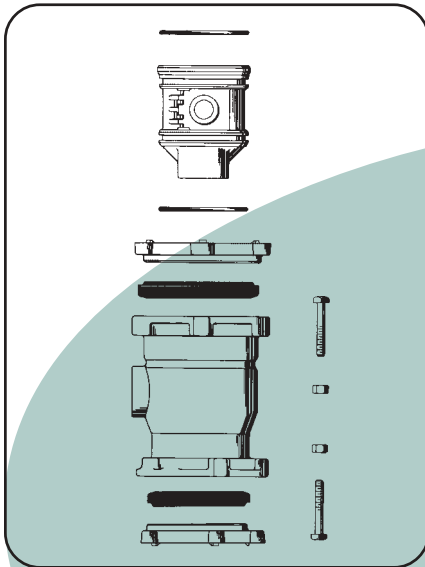




- ◆PRINT THIS PAGE
- ◆VIEW REPAIR PARTS
- ◆BACK TO HOME

DQ SERIES PITLESS KITS

The Monitor® "DQ" offers all the features of a full PS unit, but is shipped without the upper casing. A **kwikonect** connection is provided on the top and bottom of the discharge body for easy installation.



A typical pitless unit installation utilizing the Monitor® "DQ" series pitless kit.

DQ SERIES FULL PITLESS KITS . . . consist of the **double kwikonect** discharge body and spool with o-rings Cap must be ordered separately.

Well Size I.D.	Order Number	Weight	Size of Upper Casing Required
4" (Order 5" Cap)	DQ400	44	5-9/16 O.D.
5" (Order 6" Cap)	DQ500	57	6-5/8 O.D.

NOTE: 4" UNITS ARE TAPPED 2" FOR DISCHARGE AND 1-1/2" FOR DROP PIPE. IF 2" DROP PIPE TAP IS DESIRED, ADD "X" TO THE END OF THE PART NUMBER. FOR EXAMPLE, DQ400X. 5" UNITS ARE TAPPED 2" ON BOTH DROP PIPE AND DISCHARGE. Customer provides upper casing, steel or SDR26 PVC.

NOTE: I.D. of PVC pipe may vary. Always make sure spool with o-rings will pass through pipe before cutting upper casing.

Determining the Upper Casing Length

Use this chart to determine the length of upper casing. Chart allows for bury depth below grade and 1 foot of upper casing above grade.

Bury Depth	Length of Upper Casing
2'	33-3/4"
3'	45-3/4"
4'	57-3/4"
5'	69-3/4"
6'	81-3/4"
7'	93-3/4"
8'	105-3/4"



133 Enterprise Street
Evansville, WI 53536