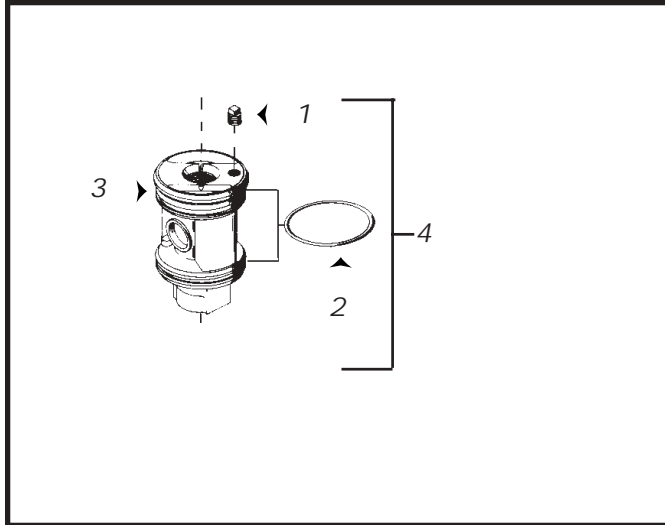


Monitor® PS

Double Kwik Connect Kits for 4" & 5" Wells

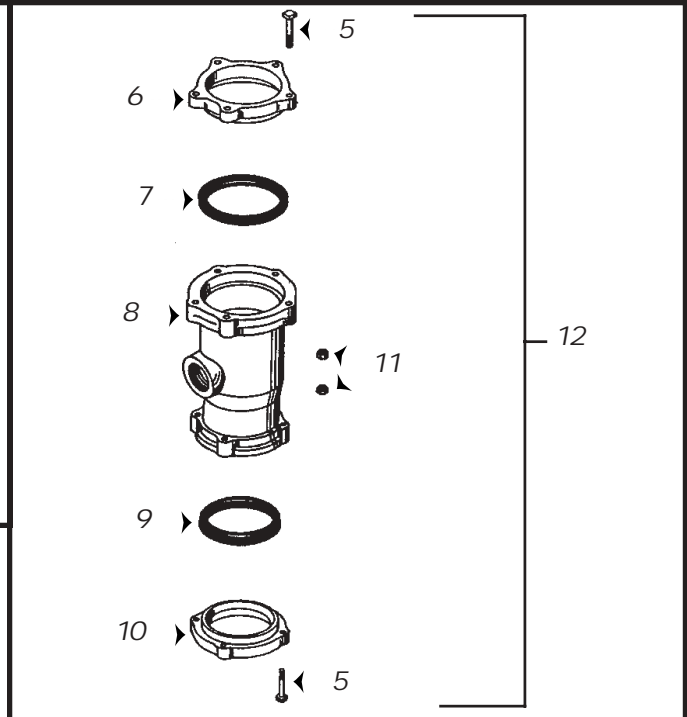
Figure 1



MODEL NUMBERS

| Model No. | Lower Well Size | Upper Case Size | Spool |
|-----------|-----------------|-----------------|-------|
| DQ400 | 4" | 5" | S4 |
| DQ500 | 5" | 6" | S4 |

Figure 2



| Double Kwik Connect Kits for 4" & 5" Wells | | | | |
|--|-----|------------------------------------|----------|------------|
| Model No. | | | 4" I.D. | 5" I.D. |
| Item | Qty | Description | Ord. No. | Ord. No. |
| 1 | 1 | 3/8" Galvanized Plug | UN122 | UN122 |
| 2 | 2 | 5" "O" Ring | UB15 | NC15 |
| 3 | 1 | Spool | UB225 | YC313 |
| 4 | 1 | Spool Assembly - Figure 1 | 5S4PSN | 6S4PS |
| 5 | 9 | Bolt, 1/2" - 13NC x 3" L. | UB201 | UB201 (11) |
| 6 | 1 | Depression Ring | UE96 | UC285 |
| 7 | 1 | Seal Ring | PS165 | PS166 |
| 8 | 1 | Discharge Body | UB383D | UE383D |
| 9 | 1 | Seal Ring | PS164 | PS165 |
| 10 | 1 | Depression Ring | UB190 | UE96 |
| 11 | 9 | Hex Nut 1/2" x 13NC | PC433 | PC433 (11) |
| 12 | 1 | Discharge Body Assembly - Figure 2 | UB450D | UE560D |

Note: () designates quantity for that unit.

NOTE: Customer provides upper casing, Sch. 40 steel or SDR26 PVC. I.D. of PVC pipe may vary. Always make sure spool will pass through pipe before cutting upper casing.

