

Pitless Units

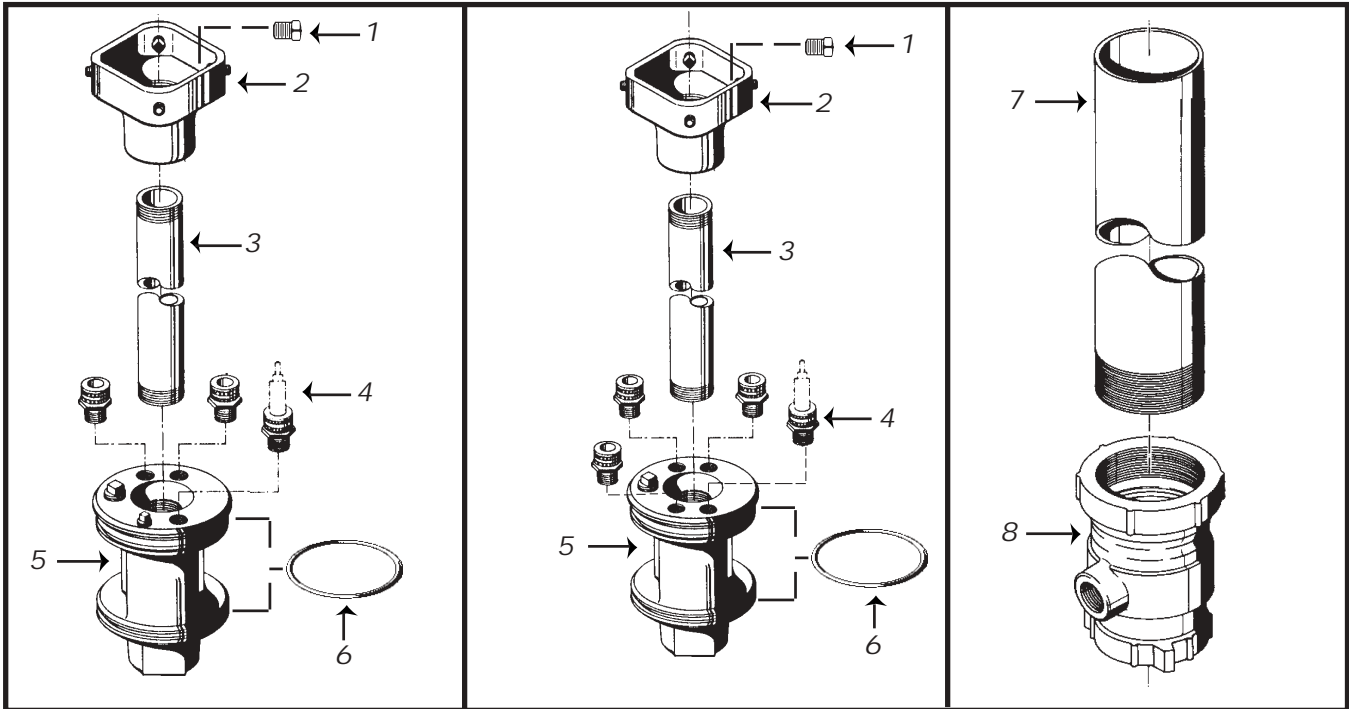
Monitor® PS

Spool Type Pitless Units for 4", 5" & 6" I.D. Flowing Wells

Figure 1 for 4" Wells

Figure 2 for 5" & 6" Wells

Figure 3



The drawings and parts list apply to the model numbers listed below including those with a B after the Upper Case Size.

MODEL NUMBERS

Bury Depth	Unit	Well Size Tapping	Upper Case Size	Spool	Cap	Flowing Well	* Item 7
2' to 8'	PS	4"	5"	S4	C0	F	Pitless Case is 5" I.P.S. - 8 NPT - Bury depth plus 10"
2' to 8'	PS	5"	6"	S4	C0	F	Pitless Case is 6" I.P.S. - 8 NPT - Bury depth plus 10"
2' to 8'	PS	6"	7"	S4	C0	F	Pitless Case is 7" I.P.S. - 8 NPT - Bury depth plus 10"

Model No.			4" I.D.	5" I.D.	6" I.D.
Item	Qty	Description	Ord. No.	Ord. No.	Ord. No.
1	4	Set Screw, 3/8-16NC x 1-3/4" L. Cup Point	YC225	PC288	YC225
2	1	Hold-Down Assembly (Includes 1 & 2)	120UB	10UE	160UC
3	1	Hold-Down Pipe, 1-1/4" I.P.S.-11-1/2 NPT.	Length = Pitless Unit Bury Depth + 7"		
4	3-4	Spool Cable Seals See Fig. 1 & 2	See Catalog	See Catalog	See Catalog
5	1	Spool, includes #6	5S4PSF	6S4PSF	7S4PSF
6	2	O-Ring	UB15	NC15	UC15
7	1	Pitless Case See Above	*	*	*
8	1	Discharge Body	UB163	UE44	UC254

