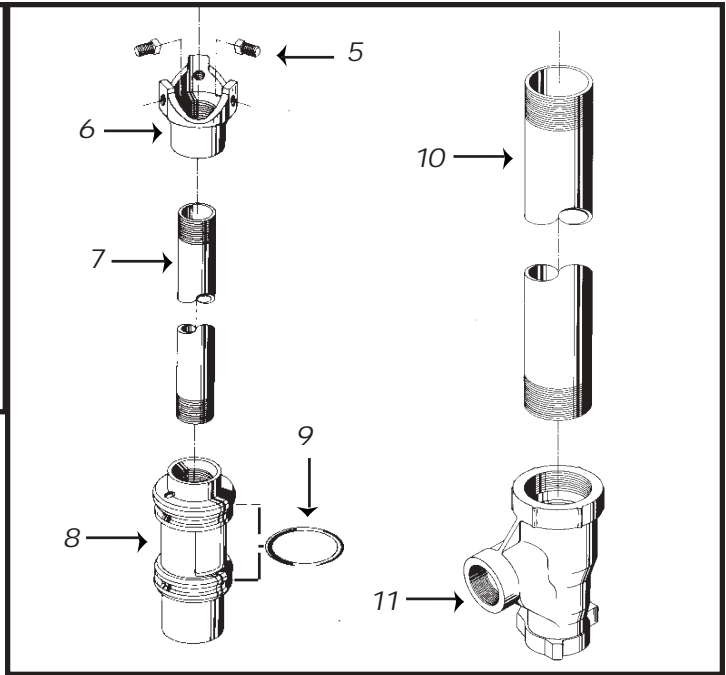
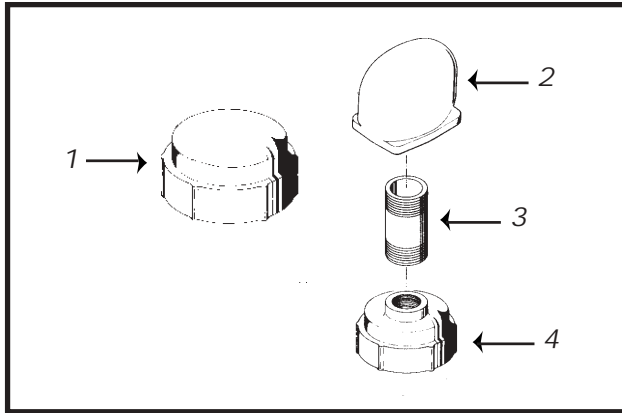


Pitless Units

# Monitor® PJ

## Spool Type Pitless Units for 2" Wells - Deep Well, Flowing Well & Shallow Well



The drawings and parts list apply to the model numbers listed below including those with a B, C or W in the model number.

**(A) MODEL NUMBERS FOR SINGLE PIPE JET PUMPS**

Bury Depth	Unit	Well Tapping Size	Upper Case Size	Spool
2' to 8'	PJ	2"	3"	X11
2' to 8'	PJ	2"	3"	X112

**(B) MODEL NUMBERS FOR FLOWING WELLS USING SHALLOW WELL PUMP**

Bury Depth	Unit	Well Tapping Size	Upper Case Size	Concentric Pipe	Spool	Flowing Well
2' to 8'	PJ	2"	3"	C	X11	F
2' to 8'	PJ	2"	3"	C	X112	F

**(C) MODEL NUMBERS FOR SHALLOW WELL PUMP**

Bury Depth	Unit	Well Tapping Size	Upper Case Size	Spool
2' to 8'	PJ	2"	3"	E11
2' to 8'	PJ	2"	3"	E112

Model No.			(A) Deep Well	(B) Flowing Well	(C) Shallow Well
Item	Qty	Description	Ord. No.	Ord. No.	Ord. No.
1	1	Seal Cap	NA31	NA31	
2	1	Screen Vent			PS247
3	1	Galvanized Nipple			PN13
4	1	Seal Cap-Tapped			NA31P
5	3	Set Screw 3/8-16NC x 1/2" L.	NA39	NA39	NA39
6	1	Hold Down Ftg, includes #'s 5 & 6 Assd	NA17	NA17	NA17
7	1	Hold Down Pipe	Hold-Down is 1" I.P.S. - 11-1/2"NPT - Bury Depth plus 7-15/16"		
8	1	Spool	NA80	NA80	NA40
9	2	"O" Ring	NA115	NA115	NA115
10	1	Pitless Case	Pitless Case is 3" I.P.S. - 8 NPT - Bury Depth plus 10"		
11	1	Discharge Body-1" Suction Tap	NA333		
11	1	Discharge Body-1-1/4" Suction Tap	NA233	NA234	NA234

