

Monitor® PS

Spool Type Pitless Units for 4", 5" & 6" I.D. Wells with Pressurized Casing Connection

Figure 1

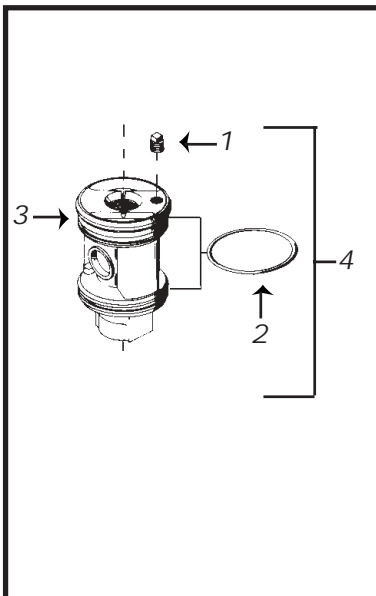


Figure 2

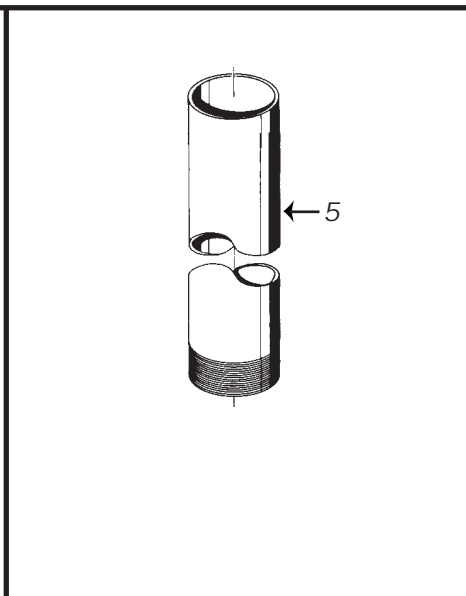
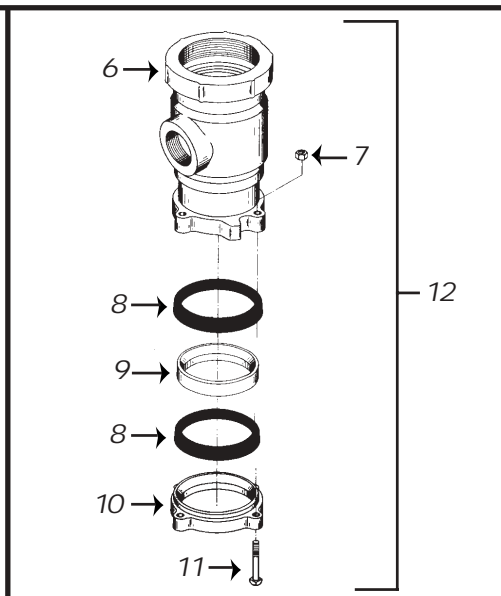


Figure 3



The drawings and parts list apply to the model numbers listed below including those with a P after the Upper Case Size.

MODEL NUMBERS

Bury Depth	Unit	Well Tapping Size	Upper Case Size	Cap	Spool	* Item 5
2' to 6'	PS	4"	5"	W	E0	Pitless Case is 5" I.P.S. - 8 NPT - Bury depth plus 10"
2' to 6'	PS	5"	6"	W	E0	Pitless Case is 6" I.P.S. - 8 NPT - Bury depth plus 10"
2' to 6'	PS	6"	7"	W	E0	Pitless Case is 7" I.P.S. - 8 NPT - Bury depth plus 10"

Spool Type Pitless Units for 4", 5" & 6" I.D. Wells w/ Pressurized Casing Connection					
Model No.			4" I.D.	5" I.D.	6" I.D.
Item	Qty	Description	Ord. No.	Ord. No.	Ord. No.
1	1	3/8" Galvanized plug	UN122	UN122	UN122
2	2	"O" Ring	UB15	NC15	UC15
4	1	Spool Assembly, includes #'s 1-3	5S4PSN	6S4PS	7S4PS
5	1	Pitless Case	*	*	*
6	1	Discharge Body	UB334	UE234	UC334
7	4	Hex Nut 1/2"-13NC	PC433	PC433 (5)	PC433 (6)
8	2	Seal Ring	PS164	PS165	PS166
9	1	Inner Depression Ring	UB88	UE197	UC288
10	1	Depression Ring	UB89	UE196	UC289
11	4	Bolt, 1/2"-13NC x 4-1/2" L.	PS220		
11	5	Bolt, 1/2"-13NC x 5" L.		PS219	PS219 (6)
12	1	Kwiconect Assembly, includes #'s 6-11	UB450M	UE560M	UC670M

Note: () designates quantity for that unit.

