

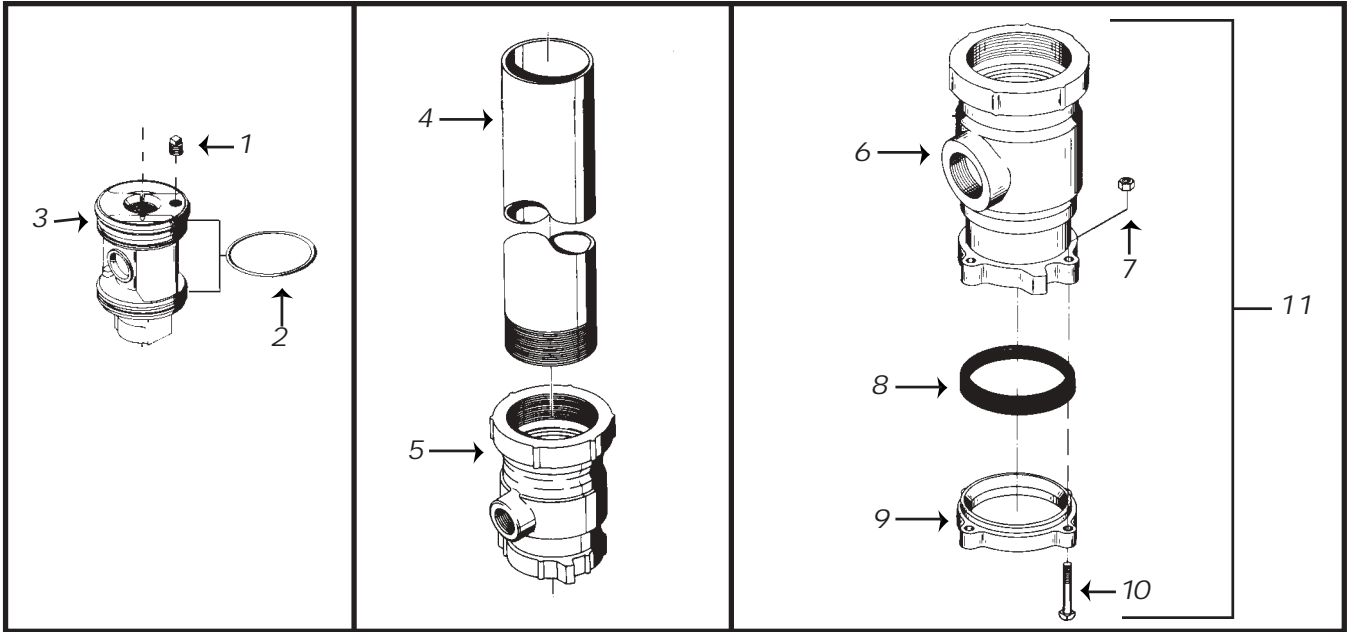
Monitor® PS

Spool Type Pitless Units for 4", 5" & 6" I.D. Wells

Figure 1

Figure 2

Figure 3



The drawings and parts list apply to the model numbers listed below including those with either a B, N, or a BN after the Upper Case Size.

MODEL NUMBERS

Bury Depth	Unit	Well Tapping Size	Upper Case Size	Spool	Cap
2' to 8'	PS	4"	5"	S4	C0
2' to 8'	PS	5"	6"	S4	C0
2' to 8'	PS	6"	7"	S4	C0

*** Item 4**

Pitless Case is 5" I.P.S. - 8 NPT - Bury depth plus 10"
 Pitless Case is 6" I.P.S. - 8 NPT - Bury depth plus 10"
 Pitless Case is 7" I.P.S. - 8 NPT - Bury depth plus 10"

Spool Type Pitless Units for 4", 5" & 6" I.D. Wells					
Model No.			4" I.D.	5" I.D.	6" I.D.
Item	Qty	Description	Ord. No.	Ord. No.	Ord. No.
1	1	Pipe Plug, 3/8-18 NPT	UN122	UN122	UN122
2	2	O-Ring	UB15	NC15	UC15
3	1	Spool -Thrd Dischg-Fig. 2, includes #1,2 & 3	5S4PS	6S4PS	7S4PS
3	1	Spool-Kwik. Dischg-Fig. 3, includes #1,2 & 3	5S4PSN	6S4PS	7S4PS
4	1	Pitless Case See Above	*	*	*
5	1	Discharge Body Threaded Unit	UB163	UE44	UC254
6	1	Discharge Body Kwikonect Unit	UB83	UE34	UC294
7	4	Hex Nut 1/2" - 13NC	PC433	PC433 (5)	PC433 (6)
8	1	Seal Ring	PS164	PS165	PS166
9	1	Depression Ring	UB190	UE96	UC285
10	4	Bolt, 1/2"-13NC x 3" L.	UB201	UB201 (5)	UB201 (6)
11	--	Kwikonect Discharge Body Assembly Includes Item #'s 6 - 10 assembled	UB450	UE560	UC670

