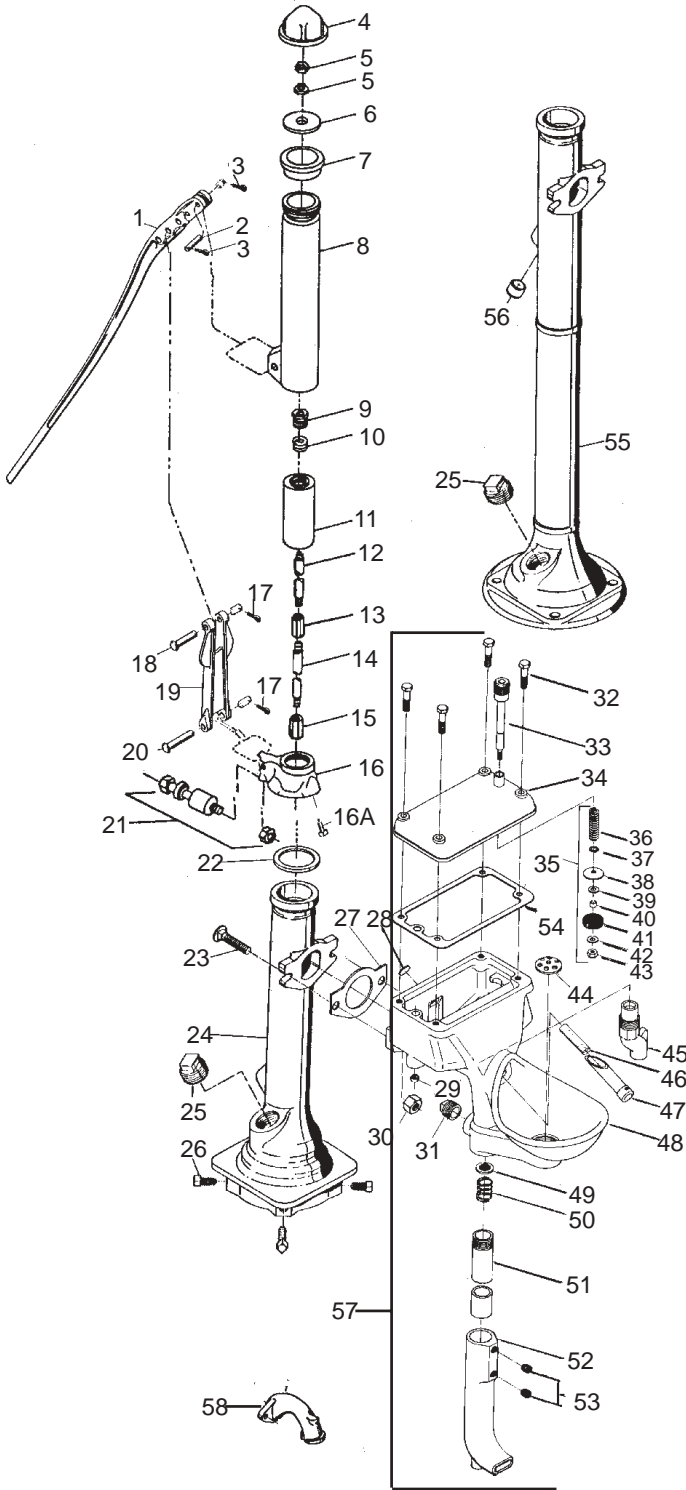


Drinking Fountain Pumps

Models 1DFHCS & 1DFHFS

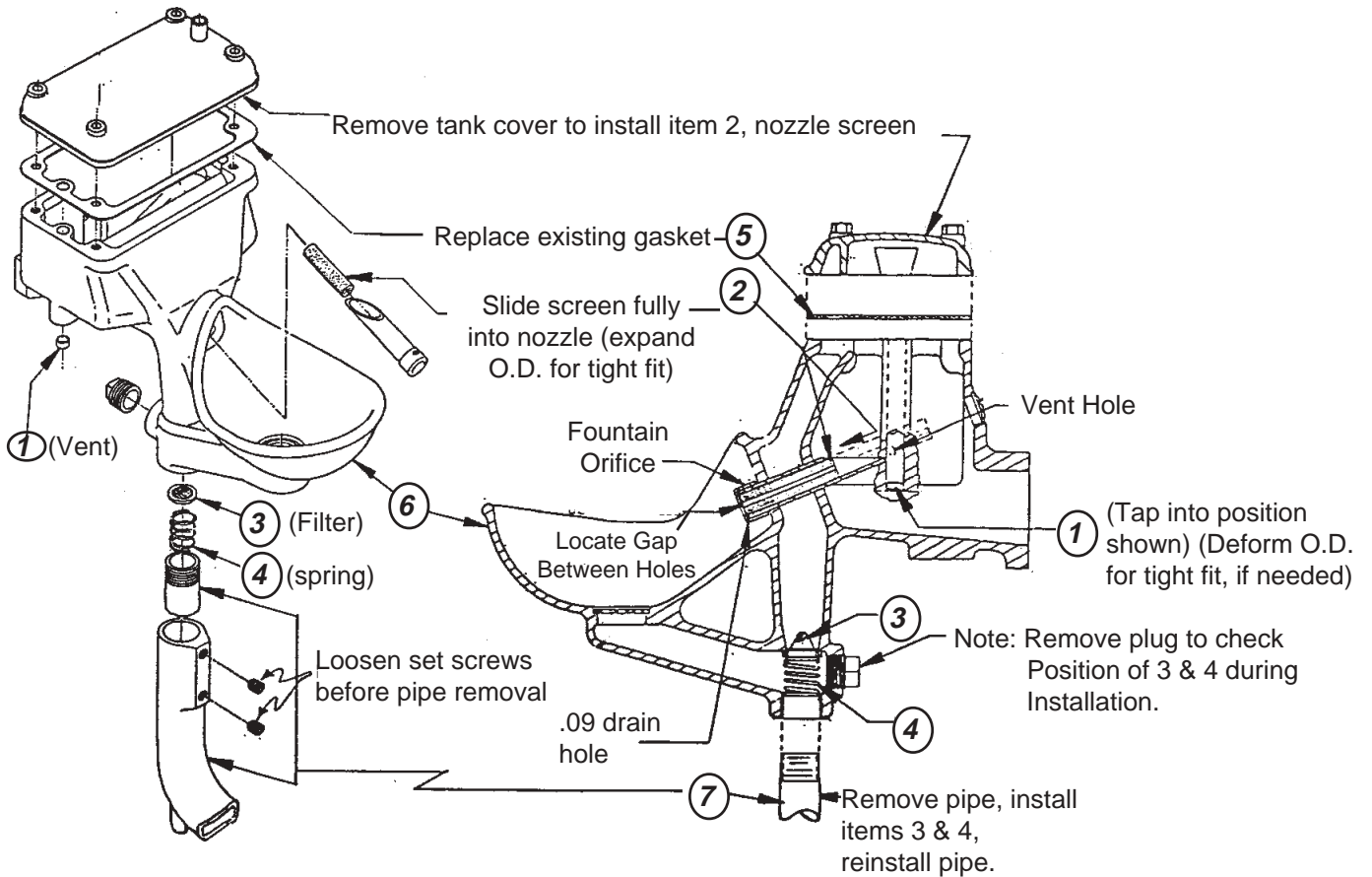


Model No.		1DFHCS & 1DFHFS	
Item	Qty	Description	Ord. No.
1	1	Handle & Pin Assby. includes #2 & 3	HF153
2	1	Pump Pin	HF61A
3	2	Cotter Pin	HF57
4	1	Top Cap	DP60P
5	2	Jam Nut	DP22
6	1	Piston Washer	DP62
7	1	Spacer Ring	DP61
8	1	Outer Shroud Assby	DP66P
9	1	Packing Nut	O31
10	1	Teflon Packing	DP134
11	1	Inner Shroud Assby	DP68P
12	1	Piston Rod 20 1/4" Long	DP72
13	1	Rod Coupling	7/16x7/16RC
14	1	Pump Rod Ext. (1DFHFS only) - 4-1/2" Pump Rod Ext. (1DFHCS only) - 13-3/8"	DP90 HD90
15	1	Rod Coupling	7/16x7/16RC
16	1	Cap	DP202P
16A	3	Set Screw 1/2-13NC x 1-1/2"	HD59
17	2	Cotter Pin	HD58
18	1	Fulcrum & Handle Pin	O54
19	1	Fulcrum includes #17, 18, 20	O400
20	1	Fulcrum & Cap Pin	O53
21	1	Rubber Bumper Assby.	10DP
22	1	Packing Washer	O81
23	2	Bolt-Tank to Base 7/16-14NC x 2" L.	DP70
24	1	Base Includes #25, 26 & 27 for 1DFHFS	HF50
25	1	Pipe Plug, 1" NPT	SW33
26	4	Set Screw-Base 1/2-13NC x 2" L.	HF33
27	1	Gasket-Tank to Base	DP11
28	1	Expansion Plug 1" Dia.	DP43
29	1	Screen Vent	PS585B
30	2	Nut, 7/16-14NC	PJ50
31	1	Pipe Plug- 3/4" NPT	DP20
32	4	Screw, 3/8-16 x 1-3/4" L.	TX15
33	1	Valve Handle & Shaft Assby.	DP56
34	1	Cover	DP53FRO
35	1	Valve Parts includes # 36 - 43	DP59
36	1	Valve Spring	DP40
37	1	Snap Ring	DP46
38	1	Spring Washer Cupped	DP47
39	1	Washer (Back up)	SW54
40	1	Spacer	DP48
41	1	Valve	SW11
42	1	Washer-Brass	UN243
43	1	Hex Lock Nut	DP49
44	1	Strainer	DP31
45	1	Spout	DP39
46	1	Nozzle Screen	DP197
47	1	Nozzle	DP30
48	1	Reservoir Assby, includes #27, 28, 29, 31, 44, 45, 46, 47, 49, 50 & 54	DP58
49	1	Filter Washer	DP196
50	1	Holding Spring	DP195
51	1	Drain Pipe 1" Std. Pipe x 23-3/16" L.	DP18
52	1	Drain Assby. includes #53	DP16
53	2	Set Screw 7/16-14NC x 1/2" L.	DP17
54	1	Cover Gasket	DP12
55	1	Base, includes #27, 25 & 56 for 1DFHCS	HC50
56	1	Screen Vent	PS585A
57	1	Fountain Assembly	158DP
---		Fountain Screening Kit inc. #29,46,49,50,54	199DP
58	1	Syphon Spout	O9



Fountain Screening Kit

Kit No. 199DP



Item	Qty	Description	Ord. No.
1	1	1/2" Vent Screen	PS585B
2	1	Nozzle Screen	DP197
3	1	1-1/4" O.D. Filter Washer	DP196
4	1	Helical Comp. Spring	DP196
5	1	Cover Gasket (New)	DP12
6	---	Existing Fountain	-----
7	---	Drain Assembly	-----



Installation Instructions (For converting Old Style Only)

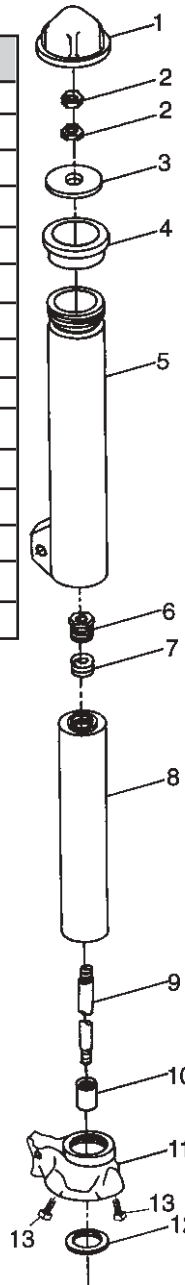
Model No.			100DPS
Item	Qty	Description	Ord. No.
1	1	Top Cap	DP60P
2	2	Jam Nut	DP22
3	1	Piston Washer	DP62
4	1	Spacer Ring	DP61
5	1	Outer Shroud Assembly	DP66P
6	1	Packing Nut	O31
7	1	Teflon Packing	DP134
8	1	Inner Shroud Assembly	DP68P
9	1	Piston Rod 20" long	DP52
10	1	Coupling 3/8"	PS182
11	1	Pump Cap (includes item #13)	DP202P
12	1	Gasket	O81
13	3	Set Screw	HD59
	1	Rubber Bumper Assembly	10DP

- Step 1. Remove handle and fulcrum from existing installation.
- Step 2. Loosen set screws and remove cap from the pump.
- Step 3. Lift piston rod and attach vise grip to insure the piston rod does not drop through pump base.

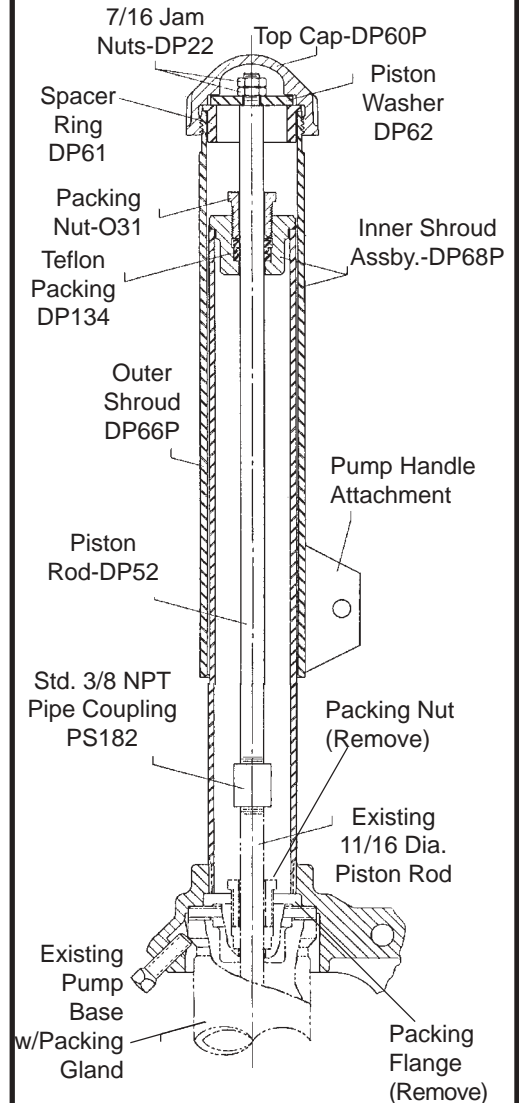
IF CONVERTING OLD STYLE PUMP, EXISTING PACKING FLANGE AND PACKING NUT MUST BE REMOVED

- Step 4. Remove the flat bar from piston rod.
- Step 5. Attach 3/8 coupling to the piston rod.
- Step 6. Attach piston rod from conversion kit to 3/8 coupling.
- Step 7. Remove vise grip.
- Step 8. Install pump cap assembly DP202P.
- Step 9. Enter teflon packing around piston rod at top of cap.
- Step 10. Screw in packing nut O31.
- Step 11. Install outer shroud DP66P.
- Step 12. Install spacer ring DP61.
- Step 13. Install piston washer DP62.
- Step 14. Fasten (2) jam nuts DP22 to top of piston.
- Step 15. Raise outer shroud and attach top cap DP60P tighten securely.
- Step 16. Replace fulcrum and attach handle to outer shroud.

WHEN USED ON NEW INSTALLATION - FOLLOW HAND PUMP INSTALLATION INSTRUCTIONS



View of Old Style Installation



View of Current Hand Pump with Shroud

