

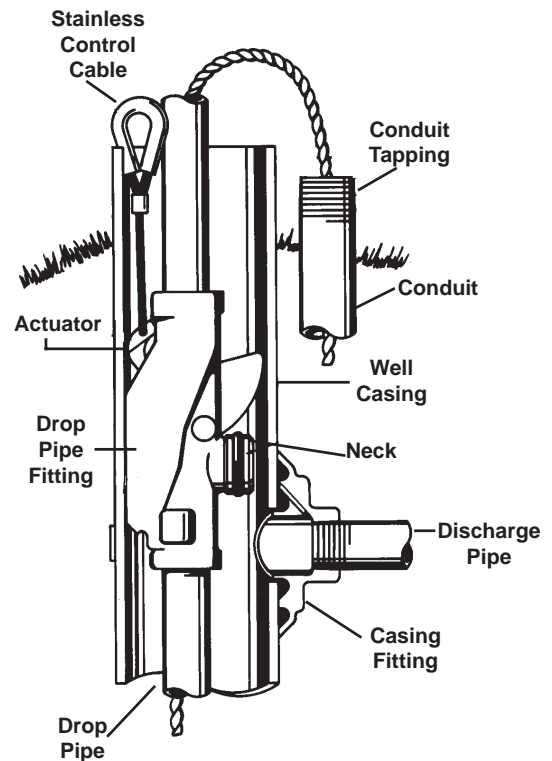
SNAPPY® PITLESS ADAPTERS

Installation Instructions for Pitless Adapter for Submersible Pumps with Pressurized Casing Fitting.

- ① Excavate around the well casing according to government regulations to a depth sufficiently below the frostline to mount the casing fitting.
- ② To cut the casing hole with a hole saw use a 2-1/8" diameter saw for 4" casing fittings and a 2-1/2" or (63mm) diameter saw for all other casing fittings sizes. Locate the hole at right angles to the discharge line for a swing joint. A Black and Decker "Twiston" hole saw, or the equivalent, is recommended for this purpose. A little practice on the basis of the saw manufacturer's instructions is required for best results. It is important to remove the inward projecting fin formed in cutting the hole with a half round file. Steel chips adhering to the casing inside and out must be brushed away. The torch cut hole is not recommended for a pressurized casing fitting because there is not enough room for the errors ordinarily encountered in torch cutting. Smooth all edges after drilling.
- ③ To mount strap to casing fitting hold bolt in place, slide casing fitting over the bolt ends and against the casing and spin on nuts. Make sure that the inner lip of the fitting enters the casing hole. Tighten nuts, after which the outer edge of the discharge fitting should be in contact with the casing. Torque to 10# ft., do not exceed 20# ft. for PVC pipe.
- ④ To install pump, make up and lower the drop pipe assembly in the usual way, starting with the pump and stopping with the drop pipe fitting supported just above the well casing. Tape the motor cable to the unlabeled side of the drop pipe fitting. Coat the neoprene O-ring with clean vaseline. Screw a 1" pipe into the drop pipe fitting and attach to hoist. Untape and uncoil the cable attached to the drop pipe fitting. With the opening in the drop pipe fitting extending in exactly the same direction as the casing fitting, slowly lower the drop pipe assembly into the well. When the drop pipe fitting aligns with the casing fitting the "T" arm of the casing fitting snaps downward thrusting the drop pipe fitting into the casing fitting sealing the joint and locking the two together.
- ⑤ To complete the well insert the eye of the release cable back into the well just far enough to avoid interference with the cap. Complete the wiring. Start

the pump and check for leakage around the casing fitting and cap the well.

- ⑥ To pull the pump, remove the upper part of the cap. First support the drop pipe with a 1" pipe screwed into the drop pipe fitting and attached to a hoist. Then release the drop pipe by pulling upward on the release cable eye. The drop pipe assembly including the pump may now be withdrawn from the well.



NOTE: Improper chlorination can lead to corrosion problems.