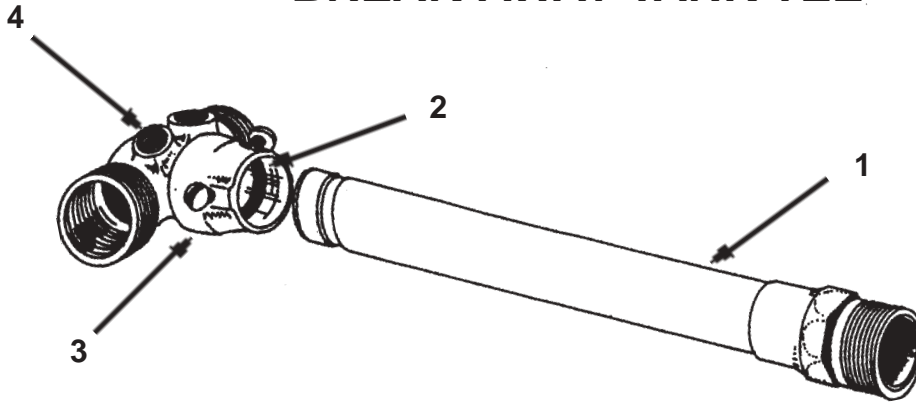
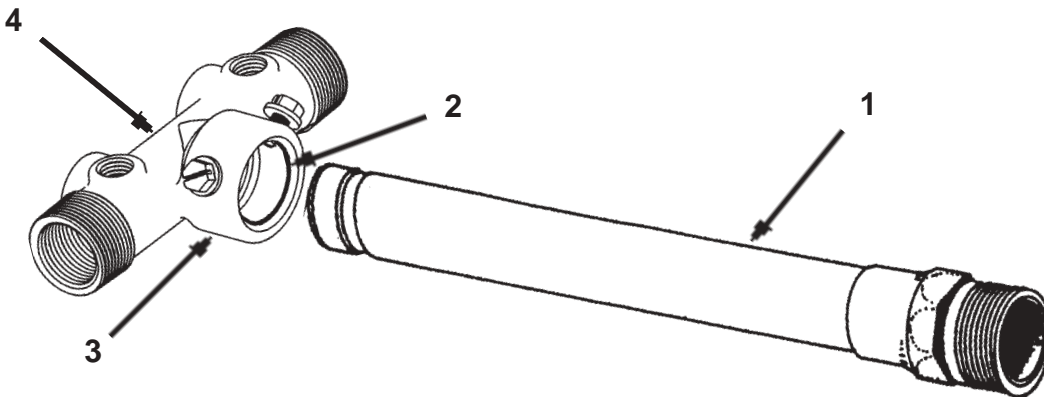


## BREAK-AWAY TANK TEE



### 1" Tee with One 1/2" Port and two 1/4" Ports

Model No.	Item 1 Copper Tube with Fitting	Item 2 O-ring	Item 3 Lock Screw	Item 4 Tee Head
1BAT80M	C80M	TOR1	E90SS.5	THS1T
1BAT260M	C260	TOR1	E90SS.5	THS1T
1BAT311M	C311	TOR1	E90SS.5	THS1T
1BAT00	C00	TOR1	E90SS.5	THS1T
1BAT80F	C80F	TOR1	E90SS.5	THS1T
1BAT210M	C210	TOR1	E90SS.5	THS1T



### 1" Tee with Two 1/2" Ports and Two 1/4" Ports

Model No.	Item 1 Copper Tube with Fitting	Item 2 O-ring	Item 3 Lock Screw	Item 4 Tee Head
1BAT82F	C80F	TOR1	E90SS.5	THF1AT
1BAT82M	C80M	TOR1	E90SS.5	THF1AT
1BAT262M	C260	TOR1	E90SS.5	THF1AT
1BAT312M	C311	TOR1	E90SS.5	THF1AT
1BAT02	C00	TOR1	E90SS.5	THF1AT

### 1-1/4" Tee with Two 3/4" Ports and Two 1/4" Ports

Model No.	Item 1 Copper Tube with Fitting	Item 2 O-ring	Item 3 Lock Screw	Item 4 Tee Head
12BAT82F	CA82F	TOR125	E90SS.5	THF125AT
12BAT82M	CA82M	TOR125	E90SS.5	THF125AT
12BAT387M	CA387M	TOR125	E90SS.5	THF125AT
12BAT334M	CA334M	TOR125	E90SS.5	THF125AT