



- ◆PRINT THIS PAGE
- ◆VIEW REPAIR PARTS
- ◆BACK TO
- ◆HOME

PIPE HOLDER

PIPE HOLDER

Model No. 201PH

Sets on top of well casing for safe installation and removal of drop pipe.
Clamp jaw moves on hinge pin to hold drop pipe against adjustable jaw.
For use with 1", 1-1/4", 1-1/2" and 2" steel drop pipe.

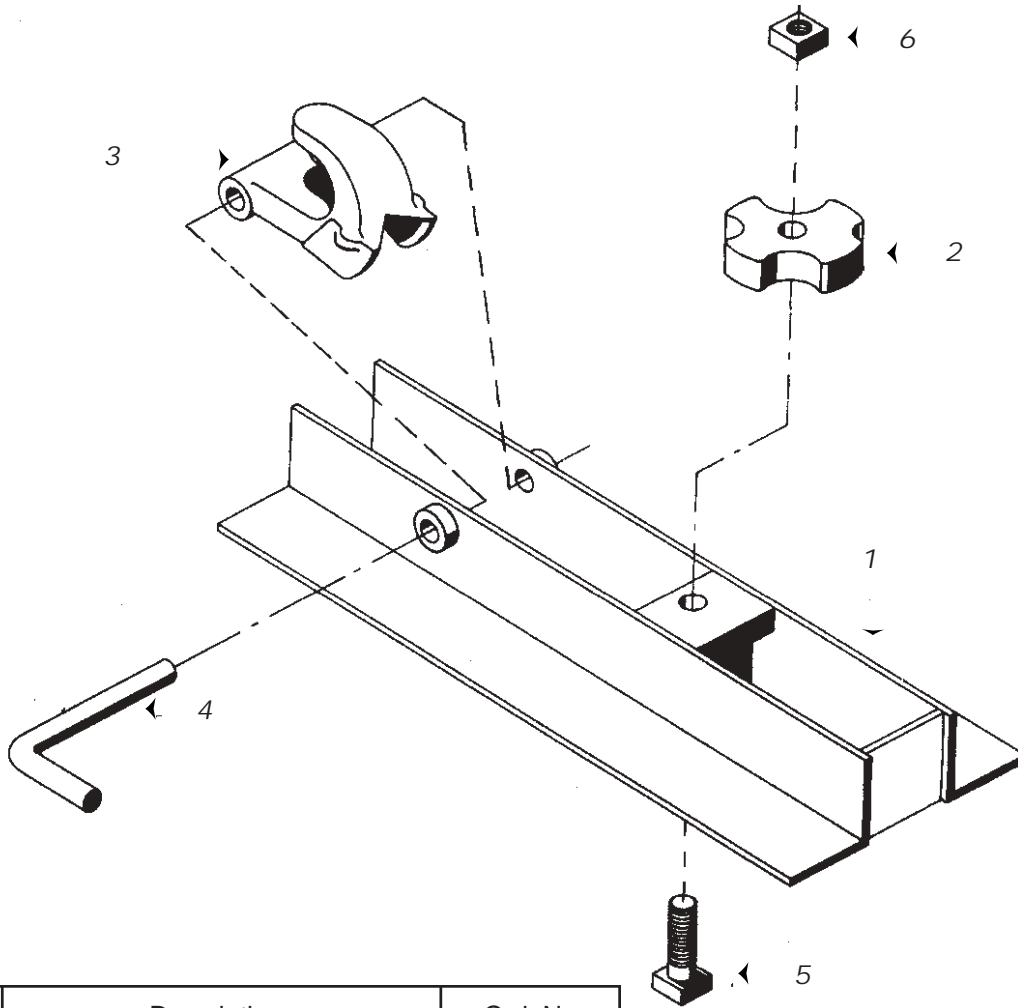


Pipe Holder



133 Enterprise Street
Evansville, WI 53536

201PH Pipe Holder



Item	Qty.	Description	Ord. No.
1	1	Holder Frame	PH55
2	1	Adjustable Jaw	PH1FRO
3	1	Clamp Jaw	PH2FRO
4	1	Hinge Pin	PH50
5	1	Machine Bolt	PH8B
6	1	Nut	PH8N