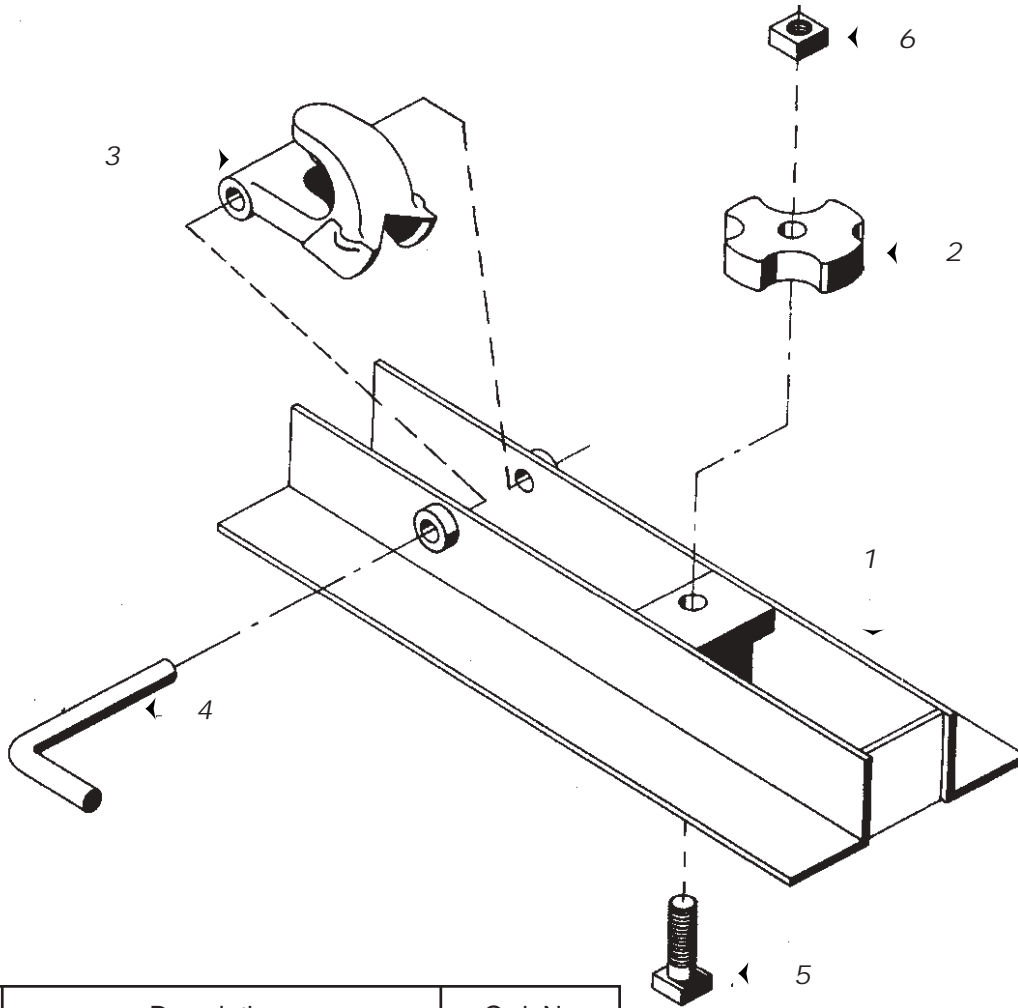


201PH Pipe Holder



| Item | Qty. | Description | Ord. No. |
|------|------|----------------|----------|
| 1 | 1 | Holder Frame | PH55 |
| 2 | 1 | Adjustable Jaw | PH1FRO |
| 3 | 1 | Clamp Jaw | PH2FRO |
| 4 | 1 | Hinge Pin | PH50 |
| 5 | 1 | Machine Bolt | PH8B |
| 6 | 1 | Nut | PH8N |