



- ◆PRINT THIS PAGE
- ◆VIEW REPAIR PARTS
- ◆BACK TO
- ◆HOME

PREMIUM VENTILATED CAP



PREMIUM VENTILATED CAP - The Premium Ventilated Cap attaches to the well casing with (3) square head set screws. The conduit attaches to the threaded adapter which allows the cap to be removed without disturbing the wiring. Made of high quality grey cast iron. Painted green and oven dried to produce a durable high quality finish.

Order No.	Wt.	O.D. Case Size	Conduit Tap Size
4V	7	4-1/2"	1"
5V	9	5-5/8"	1"
5.6V	9	6"	1"
6V	9	6-5/8"	1"
6.6V	9	7"	1"
7V	10	7-5/8"	1"



133 Enterprise Street
Evansville, WI 53536

Figure 1 - Premium Ventilated Cap (4V - 7V)

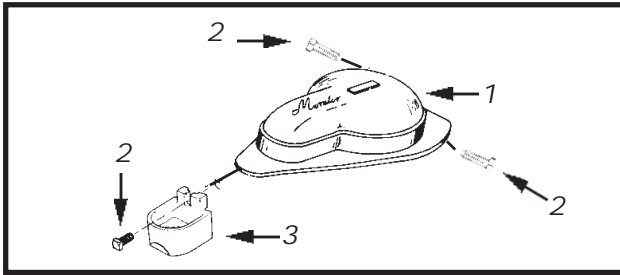


Figure 1 - Premium Ventilated Cap			4V	5V	5.6V	6V	6.6V	7V
Model No.			Ord. No.	Ord. No.	Ord. No.	Ord. No.	Ord. No.	Ord. No.
Item	Qty	Description	Ord. No.	Ord. No.	Ord. No.	Ord. No.	Ord. No.	Ord. No.
1	1	Seal Cap, includes Item #2	PS154	PS145	PK409	PS146	PK410	PS147
2	3	Set Screw 3/8" x 1-1/4" Long		PC288				
2	3	Set Screw 3/8" x 1" Long	PK13		PK13	PK13	PK13	PK13
3	1	Adapter for Seal Cap	PK29	PK29	PK29	PK29	PK29	PK29

Figure 2 - 8VR

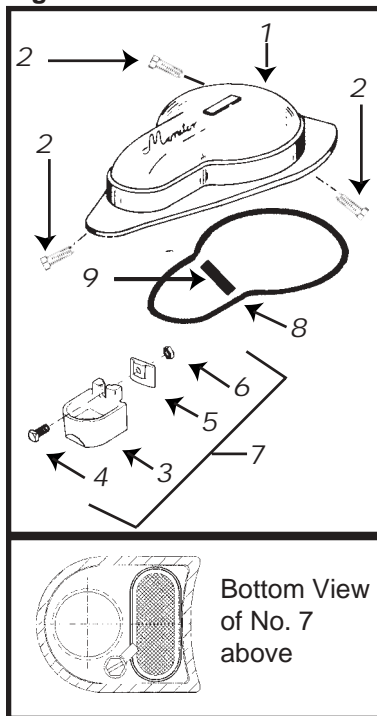


Figure 2 - 8VR			
Model No.			8VR
Item	Qty	Description	Ord. No.
1	1	Seal Cap, includes Item #2	PS148
2	3	Set Screw 1/2" x 1-1/4" Long	PS110
3	1	Adapter for Seal Cap	
4	1	3/8" x 1-1/2" Bolt	
5	1	Seal Cap Adapter Plate Clamp	
5	1	Seal Cap Adapter Plate Clamp	PS139D
6	1	Hex Nut 3/8"-16NC	
7	--	Seal Cap Adapter Assembly	PS151
8	1	Gasket for 8VR (Large)	PS120
9	1	Gasket for 8VR (Small)	PS123