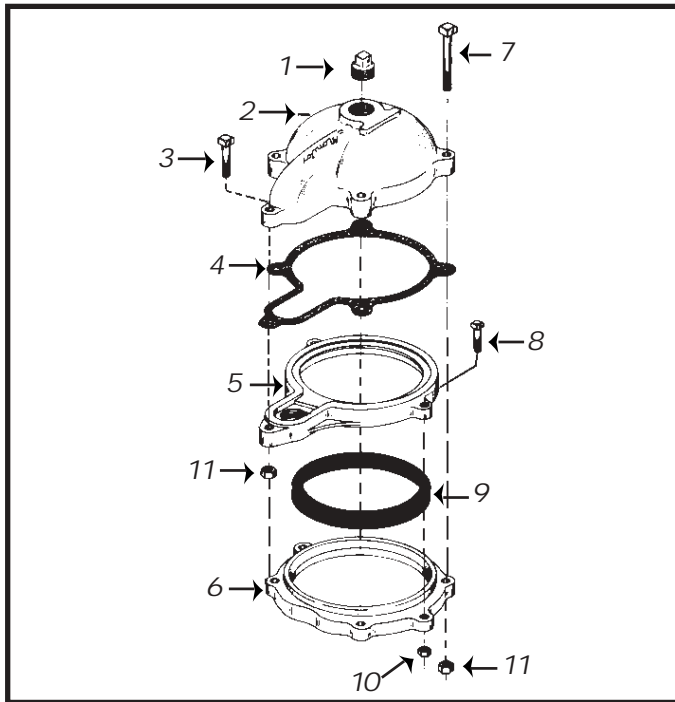
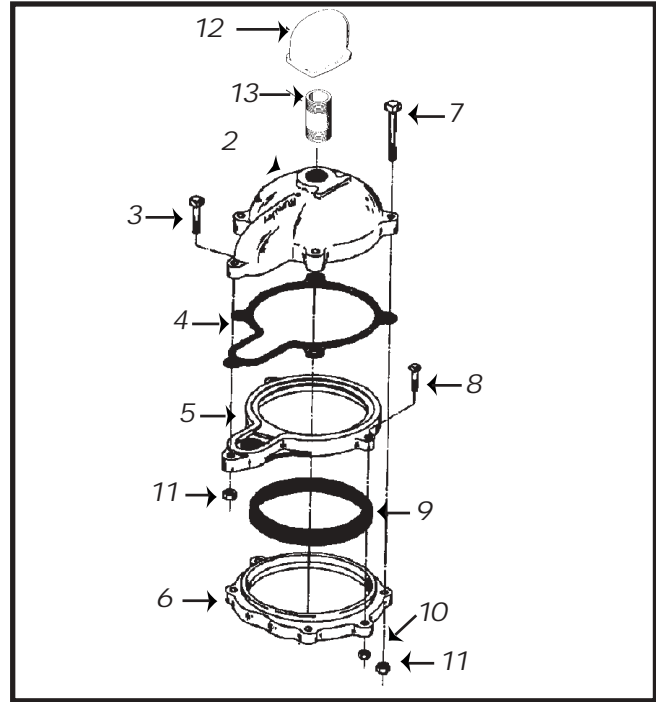


**Figure 1 - Premium Watertight Cap**



**Figure 2 - Premium Watertight Cap with Air Vent**



Model No. Figure 1			4W	5W	6W	6.6W
Model No. Figure 2			4WPSM	5WPSM	6WPSM	6.6WPSM
Item	Qty	Description	Ord. No.	Ord. No.	Ord. No.	Ord. No.
1	1	Galvanized Plug	UN120	UN120	HD71G	HD71G
2	1	Seal Cap	PS134	PS135	PS136	PS136.6
3	1	Bolt, 3/8 x 2-1/4" L.	PS92	PS92		
3	1	Bolt, 3/8 x 2-1/2" L.			PS93	PS93S
4	1	Gasket	PS194	PS195	PS196	PS196.6
5	1	Retainer Ring	PS374	PS375	PS376	PS376.6
6	1	Depression Ring	PS184	PS185	PS186	PS186.6
7	4	Bolt, 3/8-16NC x 3-1/2" L.	PS94	PS94	PS94 (5)	PS94S (6)
8	2	Bolt, 5/16-18 NC x 2" L.	PS132	PS132	PS132	PS132S
9	1	Seal Ring	PS164	PS165	PS166	PS166.6
10	2	Nut, 5/16-18NC	PC434	PC434	PC434	PC434S
11	5	Nut, 3/8-16NC	UB17	UB17	UB17 (6)	UB17S (7)
12	1	Cap Vent & Screen	PS247	PS247	PS152	PS152
13	1	Galvanized Nipple	PN13	PN13	PS262	PS262
--	--	Bag assembly of bolts/nuts	WBAG	WBAG	WBAG1	WBAG7

**Note:** ( ) designates quantity for that unit.



# Monitor® WELL CAPS

Figure 1 - Premium Watertight Cap

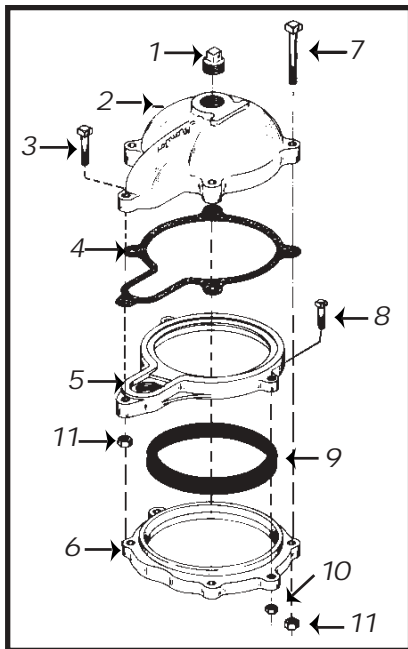
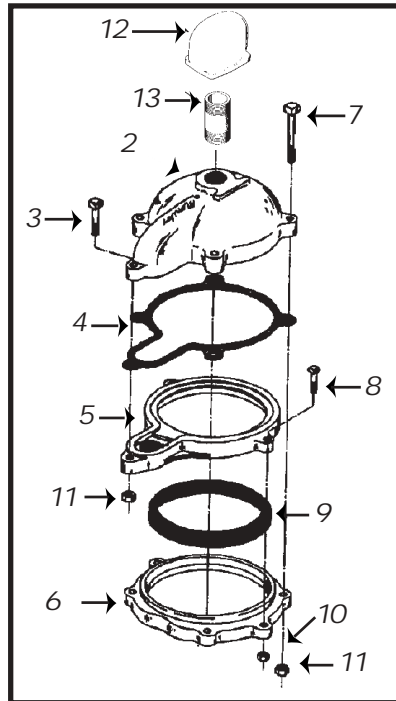
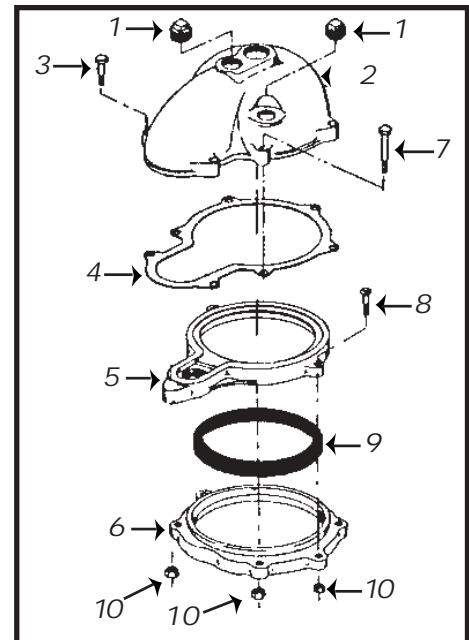


Figure 2 - Premium Watertight Cap w/Air Vent



\*Model 12W



Model No. Figure 1			7W	8W	10W	12W*
Model No. Figure 2			7WPSM	8WPSM		
Item	Qty	Description	Ord. No.	Ord. No.	Ord. No.	Ord. No.
1	1	Galvanized Nipple	UG54G	UJ50G		
1&2	1	Seal Cap & Plug Assembly	PS217	PS218	PS350	UK850
2	1	Seal Cap	PS137	PS138		
3	1	Bolt, 3/8 x 2-1/2" L.	PS93S			
3	1	Bolt, 1/2 x 3" L.		APC7	APC7	
3	2	Bolt, 5/8 x 4-3/4" L.				LK4
4	1	Gasket	PS197	PS198	PS342	UK72
5	1	Retainer Ring	PS377	PS178	PS341	UJ174
6	1	Depression Ring	PS187	PS188	PS189	UJ175
7	6	Bolt, 3/8-16NC x 3-1/2" L.	PS94S			
7	5	Bolt, 1/2 x 4-1/2" L.		PS221	PS221 (6)	
7	5	Bolt, 5/8 x 5-1/2" L.				KP145
8	2	Bolt, 5/16-18 NC x 2" L.	PS132S			
8	3	Bolt, 1/2 x 2-1/2" L.		PS111	PS111	
8	3	Bolt, 5/8 x 3-1/2" L.				UJ177
9	1	Seal Ring	PS167	PS168	PS170	UJ176
10	2	Nut, 5/16-18NC	PC434S			
10-11	9	Nut, 1/2 - 13NC		PC433	PC433 (10)	
10	10	Nut, 5/8 x 11NC				PC286
11	7	Hex Nut, 3/8-16NC	UB17			
12	1	Cap Vent & Screen	PS150	73PS		
13	1	Galvanized Nipple	PS263	PS265		
--	--	Bag assembly of bolts/nuts	WBAG7	WBAG3	WBAG4	WBAG5

Note: ( ) designates quantity for that unit.