

**Figure 1 - Premium Ventilated Cap (4V - 7V)**

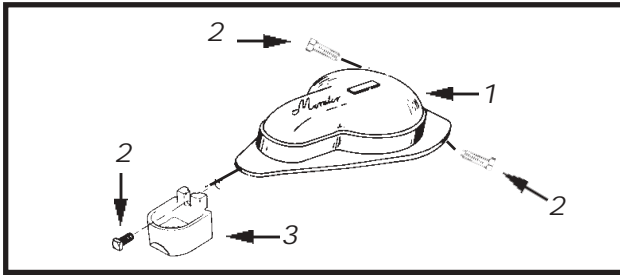


Figure 1 - Premium Ventilated Cap			4V	5V	5.6V	6V	6.6V	7V
Model No.			Ord. No.	Ord. No.	Ord. No.	Ord. No.	Ord. No.	Ord. No.
Item	Qty	Description	Ord. No.	Ord. No.	Ord. No.	Ord. No.	Ord. No.	Ord. No.
1	1	Seal Cap, includes Item #2	PS154	PS145	PK409	PS146	PK410	PS147
2	3	Set Screw 3/8" x 1-1/4" Long		PC288				
2	3	Set Screw 3/8" x 1" Long	PK13		PK13	PK13	PK13	PK13
3	1	Adapter for Seal Cap	PK29	PK29	PK29	PK29	PK29	PK29

**Figure 2 - 8VR**

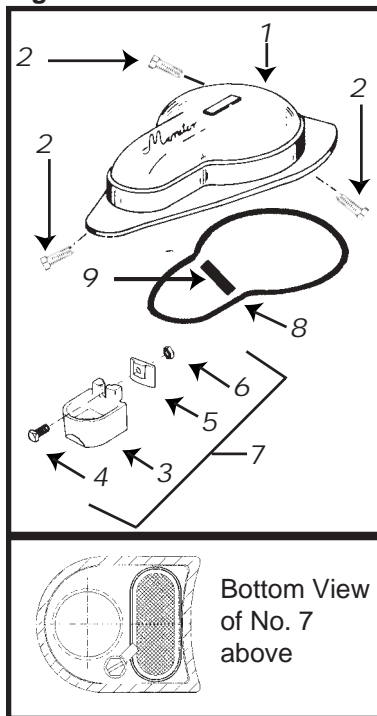


Figure 2 - 8VR			
Model No.			8VR
Item	Qty	Description	Ord. No.
1	1	Seal Cap, includes Item #2	PS148
2	3	Set Screw 1/2" x 1-1/4" Long	PS110
3	1	Adapter for Seal Cap	
4	1	3/8" x 1-1/2" Bolt	
5	1	Seal Cap Adapter Plate Clamp	
5	1	Seal Cap Adapter Plate Clamp	PS139D
6	1	Hex Nut 3/8"-16NC	
7	--	Seal Cap Adapter Assembly	PS151
8	1	Gasket for 8VR (Large)	PS120
9	1	Gasket for 8VR (Small)	PS123