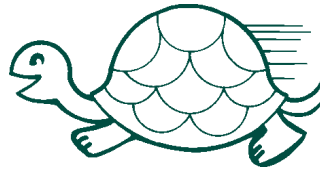




- ◆PRINT THIS PAGE
- ◆VIEW REPAIR PARTS
- ◆BACK TO
- ◆HOME



TURTLE® WATERTIGHT CAP



THE TURTLE® VERMIN WATERTIGHT CAP – The Turtle Vermin Watertight Cap is a two-piece cast iron cap that features a Neoprene "O"-ring seal on the well. The top of the cap removes for easy well servicing. Standard WE1-series cap attaches to steel or PVC casing with three square head bolts. WE1P-series cap for PVC casing attaches by solvent welding (gluing). All models have two large screened vent areas. Stainless steel hardware included. **Conforms to Water System Council PAS-97(04) Standards.** Vermin resistant. Painted green and oven dried to produce a durable high quality finish.

Personalized Turtle Caps are available upon request. Personalized Caps (cast into cap or ABS are hot stamped). Minimum order (per well size) of personalized caps: 50 caps. ± 10% deviation must be allowed on personalized caps.

CAST IRON VERMIN WATERTIGHT TURTLE® CAP

CI Lid & CI Base Ring			CI Lid & PVC Base Ring		O.D. Case Size	Conduit Tap Size
Order No.	Max. Casing O.D.	Wt.	Order No.	Wt.		
4WE1	4.545	6	4WE1P	4.125	4-1/2"	1"
4.5WE1*		9			5"	1"
5WE1	5.618	7	5WE1P	4.5	5-5/8"	1"
5.5WE1*		10			6"	1"
6WE1	6.69	8	6WE1P	5	6-5/8"	1"
6WE11.2	6.69	8			6-5/8"	1-1/4"
6.5WE11.2*		12			7"	1-1/4"
6.9WE11.2		12			6.9"	1-1/4"
7WE11.2	7.70	10			7-5/8"	1-1/4"

*For Whitewater Pitless Units.

ABS VERMIN WATERTIGHT TURTLE® CAP

ABS Lid & CI Base Ring				ABS Lid & PVC Base Ring				O.D. Case Size	Conduit Tap Size
Order No. (Single cap)	Wt.	Order No. (6 Pack)	Wt.	Order No. (Single cap)	Wt.	Order No. (6 Pack)	Wt.		
4PM1	3.8	4PM61	23	4PT1	1.3	4PT61	8	4-1/2"	1"
4.5PM1	4	4.5PM61	24					5"	1"
5PM1	4.2	5PM61	25	5PT1	1.7	5PT61	10	5-5/8"	1"
5.5PM1	5	5.5PM61	30					6"	1"
6PM1	4.3	6PM61	26	6PT1	1.8	6PT61	11	6-5/8"	1"
6PM11.2	4.3	6PM611.2	26					6-5/8"	1-1/4"

8VR CAST IRON VERMIN WATERTIGHT CAP

Order No.	O.D. Case Size	Conduit Tap Size	Wt.
8VR	8-5/8"	1-1/4"	20.5

8VR Vermin resistant cast iron cap, includes rubber gasket, large vented screen and 1-1/4" conduit tapping.



133 Enterprise Street
Evansville, WI 53536

Monitor® WELL CAPS

Figure 1 - Premium Watertight Cap

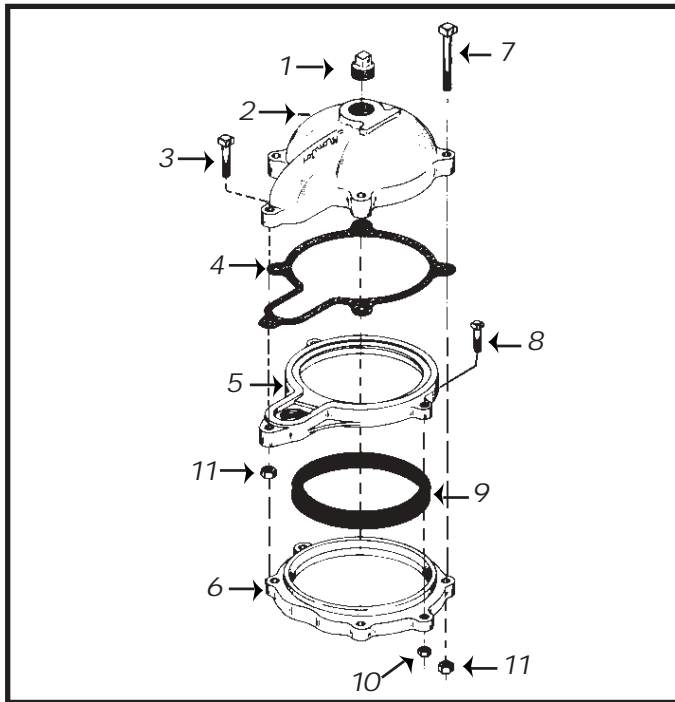
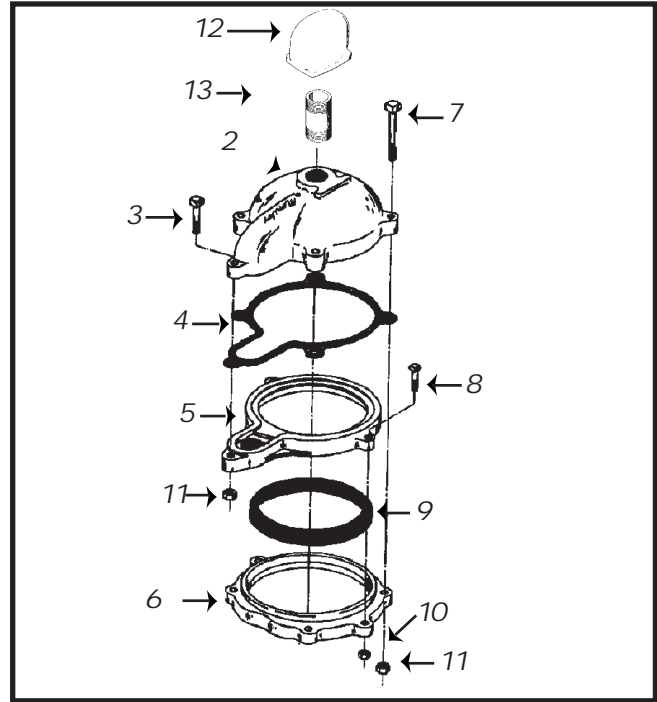


Figure 2 - Premium Watertight Cap with Air Vent



Model No. Figure 1			4W	5W	5.6W	6W	6.6W
Model No. Figure 2			4WPSM	5WPSM		6WPSM	6.6WPSM
Item	Qty	Description	Ord. No.	Ord. No.	Ord. No.	Ord. No.	Ord. No.
1	1	Galvanized Plug	UN120	UN120	Incl in #2	HD71G	HD71G
2	1	Seal Cap	PS134	PS135	PS215.6	PS136	PS136.6
3	1	Bolt, 3/8 x 2-1/4" L.	PS92	PS92			
3	1	Bolt, 3/8 x 2-1/2" L.			PS93	PS93	PS93S
4	1	Gasket	PS194	PS195	PS195.6	PS196	PS196.6
5	1	Retainer Ring	PS374	PS375	PS375.6	PS376	PS376.6
6	1	Depression Ring	PS184	PS185	PS185.6	PS186	PS186.6
7	4	Bolt, 3/8-16NC x 3-1/2" L.	PS94	PS94	PS94 (5)	PS94 (5)	PS94S (6)
8	2	Bolt, 5/16-18 NC x 2" L.	PS132	PS132	PS132	PS132	PS132S
9	1	Seal Ring	PS164	PS165	PS165.6	PS166	PS166.6
10	2	Nut, 5/16-18NC	PC434	PC434	PC434	PC434	PC434S
11	5	Nut, 3/8-16NC	UB17	UB17	UB17 (6)	UB17 (6)	UB17S (7)
12	1	Cap Vent & Screen	PS247	PS247		PS152	PS152
13	1	Galvanized Nipple	PN13	PN13		PS262	PS262
--	--	Bag assembly of bolts/nuts	WBAG	WBAG	WBAG1	WBAG1	WBAG2

Note: () designates quantity for that unit.



Monitor® WELL CAPS

Figure 1 - Premium Watertight Cap

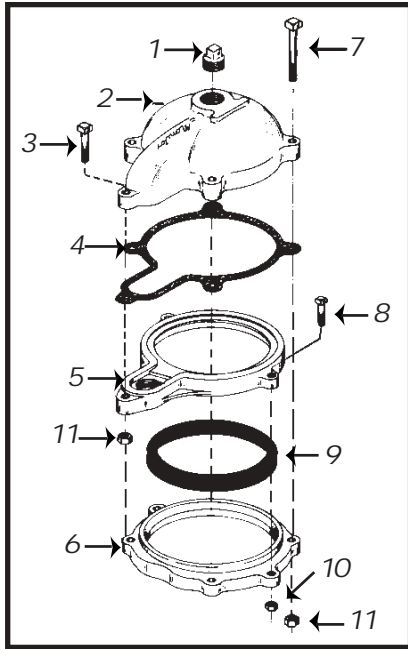
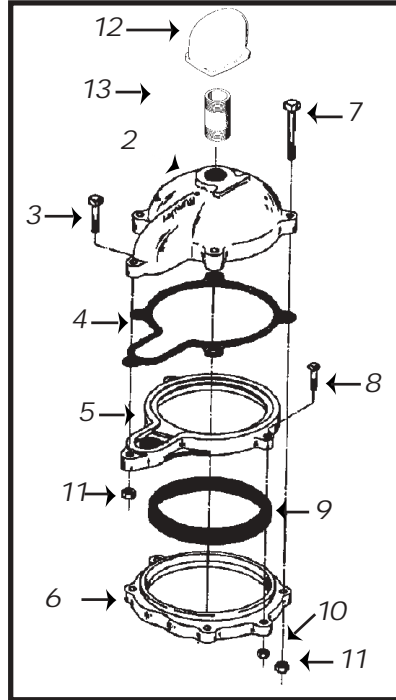
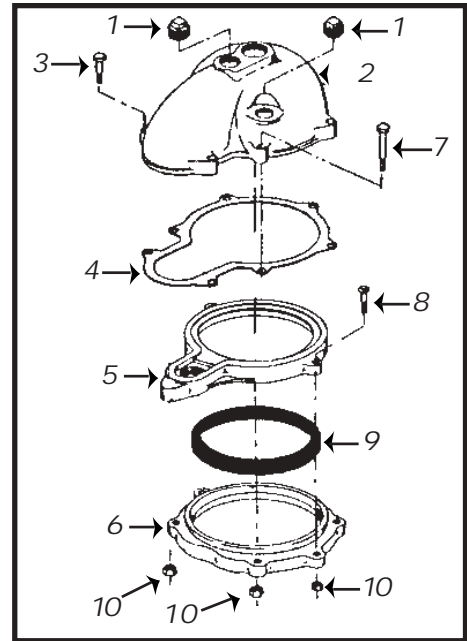


Figure 2 - Premium Watertight Cap w/Air Vent



*Model 12W



Model No. Figure 1			7W	8W	10W	12W*
Model No. Figure 2			7WPSM	8WPSM		
Item	Qty	Description	Ord. No.	Ord. No.	Ord. No.	Ord. No.
1	1	Galvanized Nipple	UG54G	UJ50G		
1&2	1	Seal Cap & Plug Assembly			PS350	PS850
2	1	Seal Cap	PS137	PS138		
3	1	Bolt, 3/8 x 2-1/2" L.	PS93S			
3	1	Bolt, 1/2 x 3" L.		APC7	APC7	
3	2	Bolt, 5/8 x 4-3/4" L.				LK4
4	1	Gasket	PS197	PS198	PS342	UK72
5	1	Retainer Ring	PS377	PS178	PS341	UJ174
6	1	Depression Ring	PS187	PS188	PS189	UJ175
7	6	Bolt, 3/8-16NC x 3-1/2" L.	PS94S			
7	5	Bolt, 1/2 x 4-1/2" L.		PS221	PS221 (6)	
7	5	Bolt, 5/8 x 5-1/2" L.				KP145
8	2	Bolt, 5/16-18 NC x 2" L.	PS132S			
8	3	Bolt, 1/2 x 2-1/2" L.		PS111	PS111	
8	3	Bolt, 5/8 x 3-1/2" L.				UJ177
9	1	Seal Ring	PS167	PS168	PS170	UJ176
10	2	Nut, 5/16-18NC	PC434S			
10-11	9	Nut, 1/2 - 13NC		PC433	PC433 (10)	
10	10	Nut, 5/8 x 11NC				PC286
11	7	Hex Nut, 3/8-16NC	UB17			
12	1	Cap Vent & Screen	PS150	73PS		
13	1	Galvanized Nipple	PS263	PS265		
--	--	Bag assembly of bolts/nuts	WBAG2	WBAG3	WBAG4	WBAG5

Note: () designates quantity for that unit.